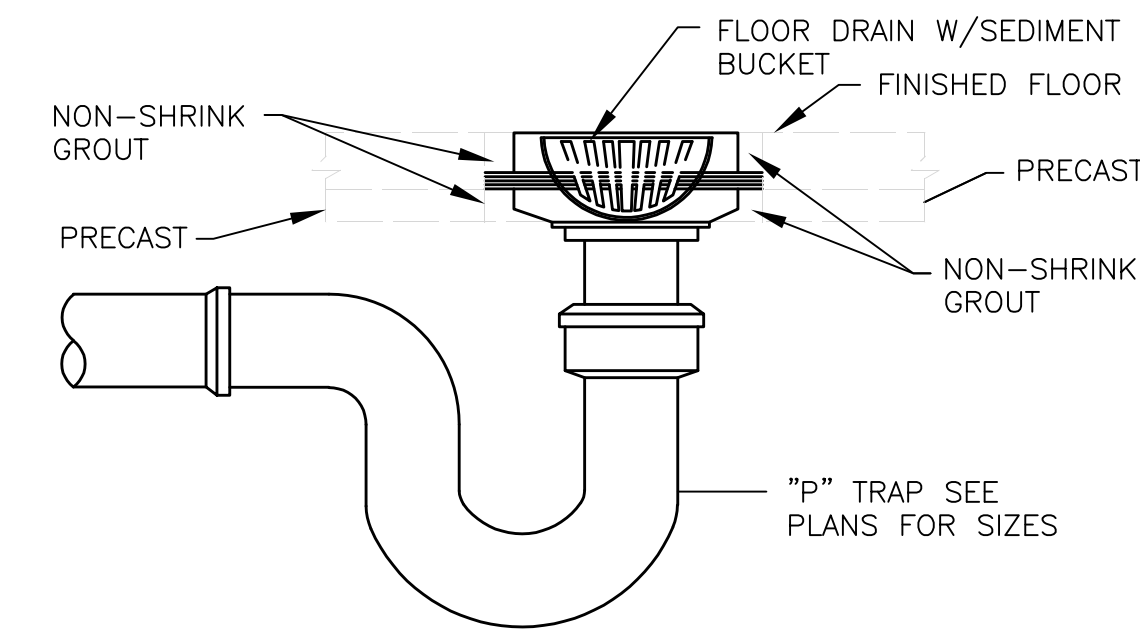
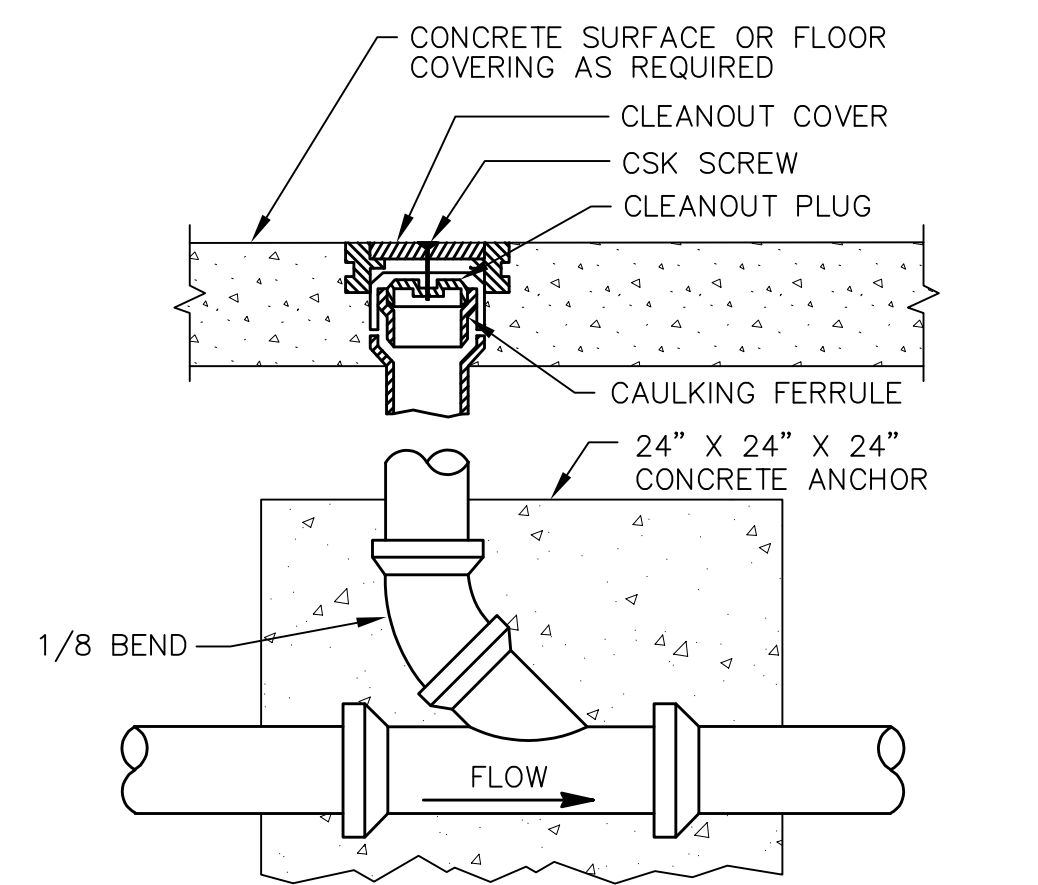


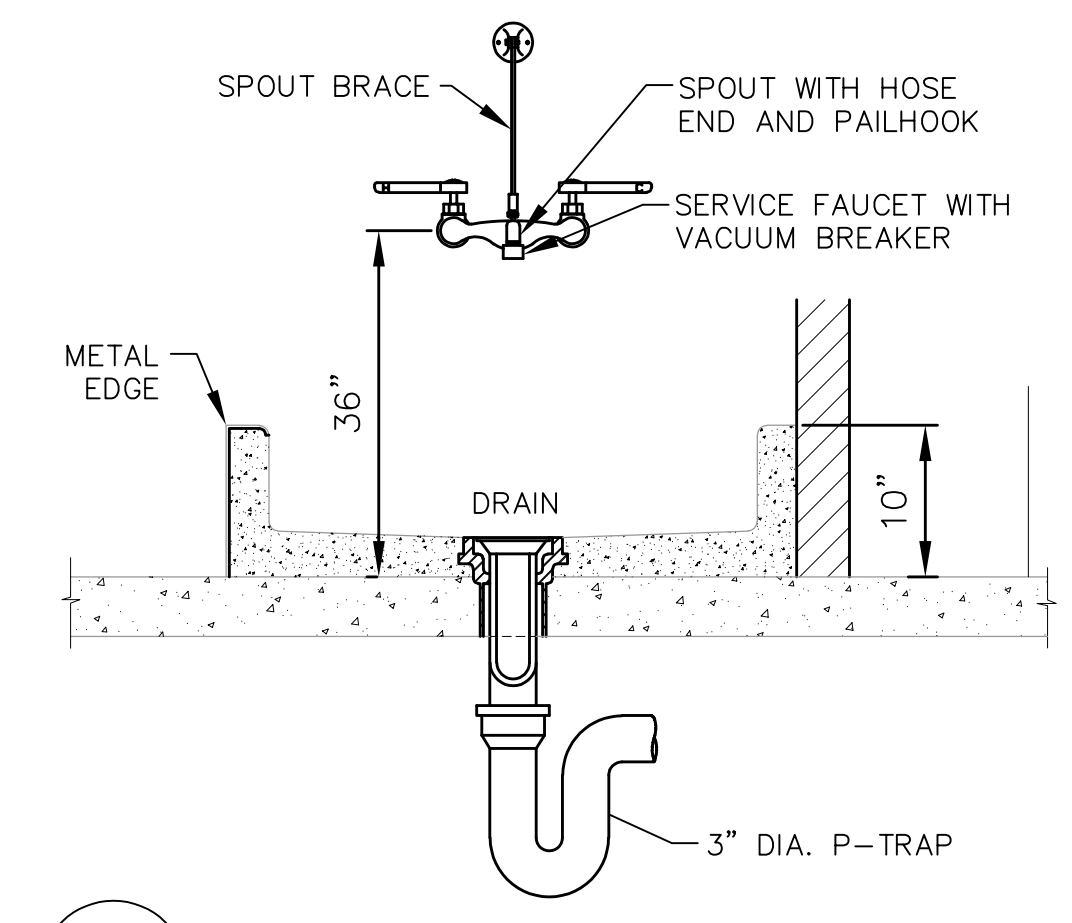
**1 VENT THRU ROOF DETAIL**  
SCALE: N.T.S.



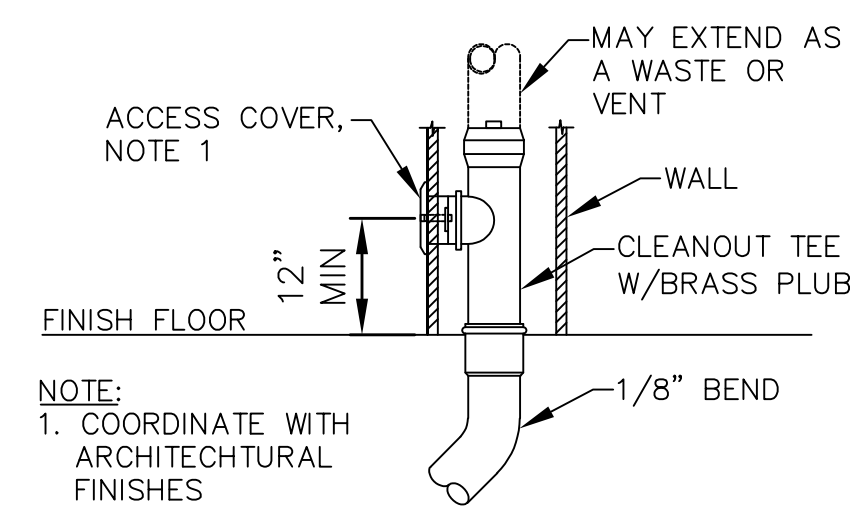
**2 FLOOR DRAIN DETAIL**  
SCALE: N.T.S.



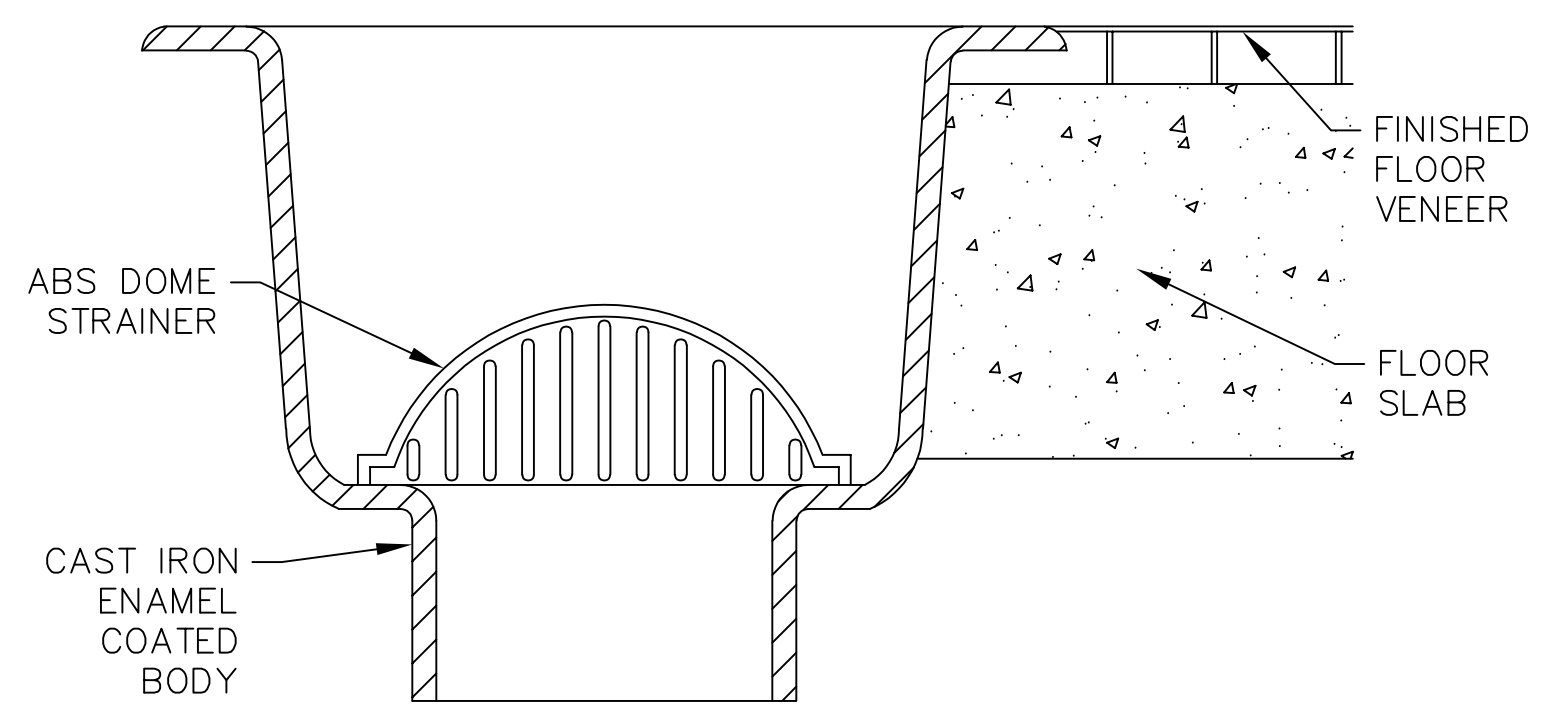
**3 FINISHED FLOOR CLEAN-OUT DETAIL**  
SCALE: N.T.S.



**4 MOP SINK DETAIL**  
SCALE: N.T.S.

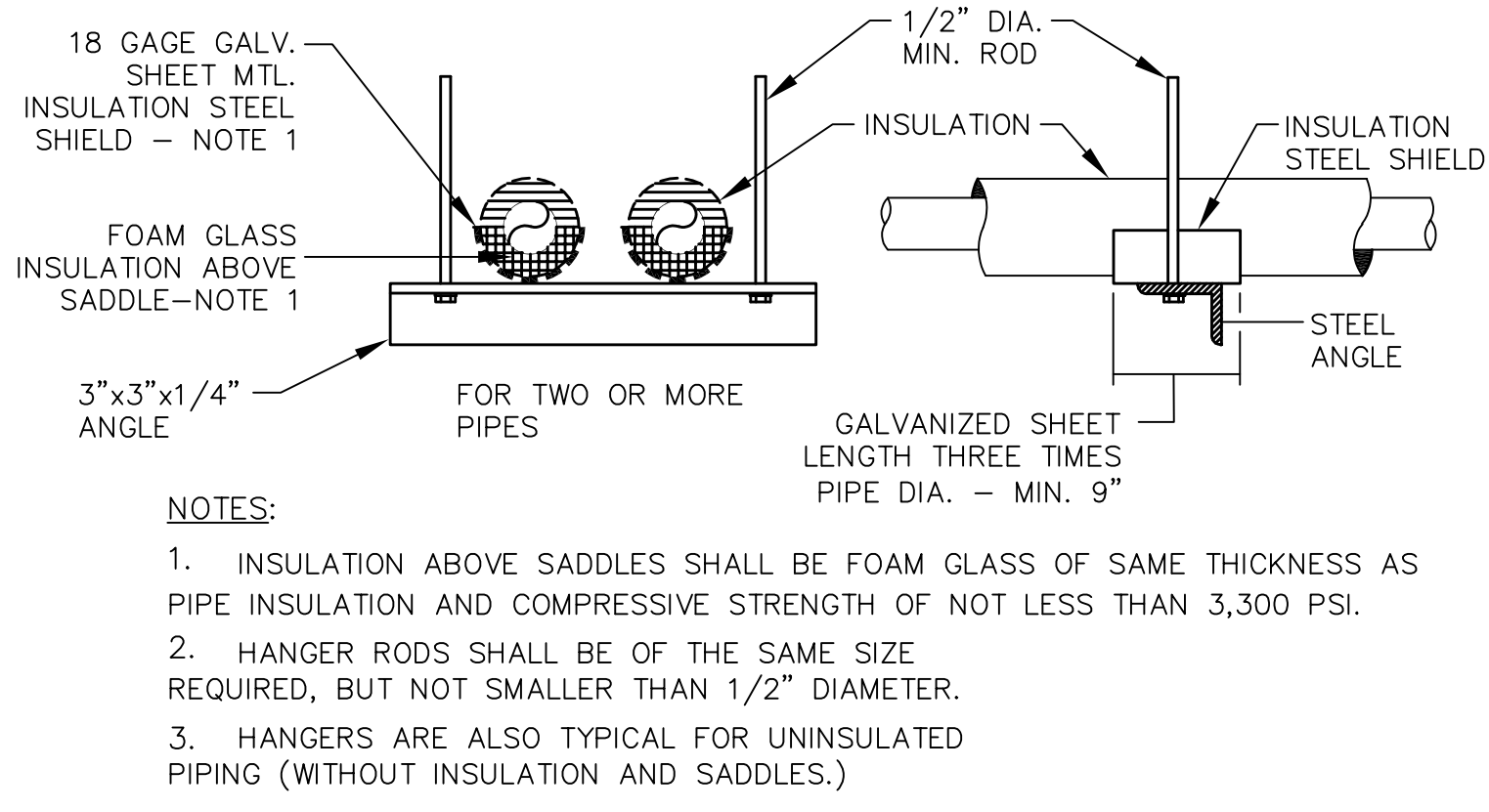
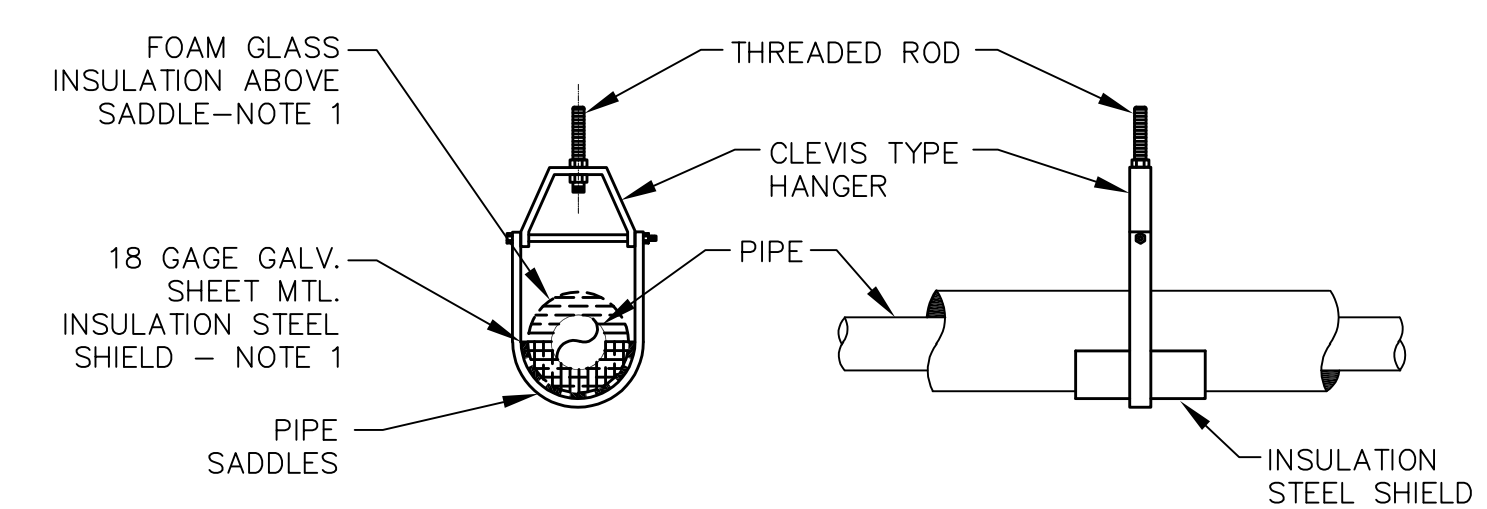


**6 WALL CLEANOUT DETAIL**  
SCALE: N.T.S.



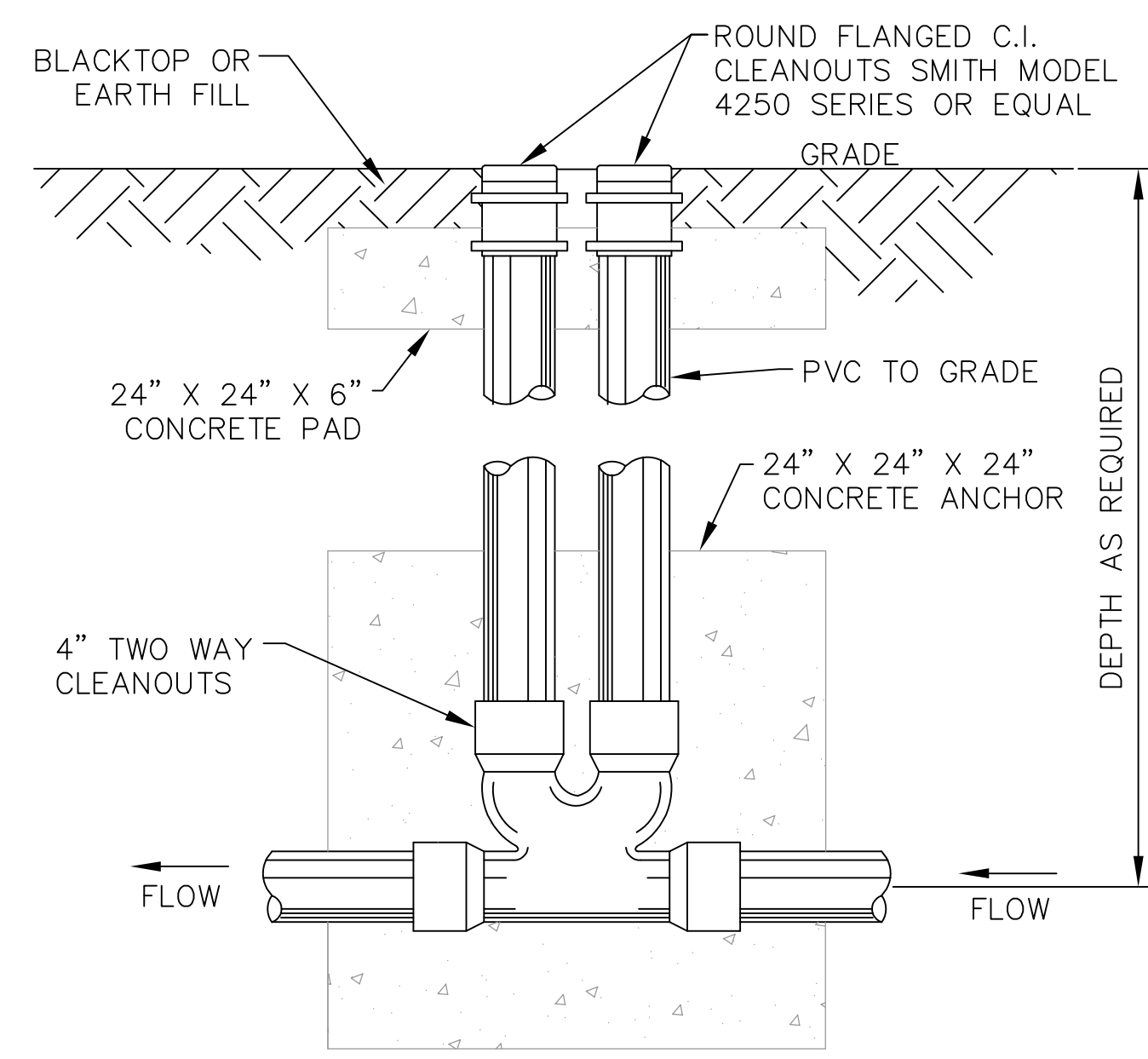
NOTES:  
PROVIDE WITH 4" DEEP SEALED TRAP AND TRAP PRIMER FITTING OR PROSET TRAP GUARD.

**5 FLOOR SINK DETAIL**  
SCALE: N.T.S.



**7 FREEZE PROOF WALL HYDRANT**  
SCALE: N.T.S.

**8 PIPE SUPPORT DETAIL**  
SCALE: N.T.S.



**9 DOUBLE GROUND CLEANOUTS DETAIL**  
SCALE: N.T.S.

**ABBREVIATIONS**

A/E ARCHITECT/ENGINEER	FS FLOOR SINK	LB POUNDS	RD ROOF DRAIN
AF ABOVE FLOOR	FT. FEET	LRA LOCKED ROTOR AMPS	RE REFERENCE, REFER
G GRADE CLEANOUT	G GRADE CLEANOUT	MAX MAXIMUM	RLA RUNNING LOAD AMPS
AHU AIR HANDLING UNIT	GCO GRADE CLEANOUT	MCA MINIMUM CIRCUIT AMPACITY	RM ROOM
APPROX APPROXIMATE	H HEIGHT	MIN MINIMUM	RMPB REDUCED PRESSURE BACKFLOW PREVENTER
CU COPPER, CONDENSING UNIT	HB HOSE BIBB	MS MOP SINK BASIN	S SINK
CW DOMESTIC COLD WATER	HP HORSEPOWER	N/A NOT APPLICABLE	THRU THROUGH
D DOMESTIC HOT WATER	HW DOMESTIC HOT WATER	NFPA NATIONAL FIRE PROTECTION ASSOCIATION	TP TRAP PRIMER
DCO TWO-WAY GRADE CLEANOUT	DWG DOMESTIC HOT WATER CIRCULATION LOOP	NFHW NON-FREEZE WALL HYDRANT	TYP TYPICAL
DEG DEGREES	DEN DOWNSPOUT NOZZLE	NOMA NORMALLY OPEN, NORMALLY CLOSED ON CENTER	UR URRINAL
DSN EXISTING	EQUIP EQUIPMENT	UL UNDERWRITERS LABORATORIES, INC.	UL SANITARY VENT
(E) EXISTING	EWC ELECTRIC WATER COOLER	V VENT	V SANITARY VENT THRU ROOF
EQUIP EQUIPMENT	'F DEGREES FAHRENHEIT	W WATER CLOSET	W SANITARY DRAINAGE
EWC ELECTRIC WATER COOLER	'F FLOOR CLEANOUT	WC WATER CLOSET	WC WALL CLEANOUT
'F FLOOR CLEANOUT	FCU FAN COIL UNIT	W/ WITH	W/ WITH
FCU FAN COIL UNIT	FD FLOOR DRAIN	WHA WATER HAMMER ARRESTER	
FD FLOOR DRAIN	CONNECTION INTO EXISTING		
CONNECTION INTO EXISTING			

**LINE TYPES**

- GW — SANITARY DRAINAGE
- D — GREASY WASTE
- RD — EQUIPMENT DRAIN
- RD — ROOF STORM DRAINAGE
- ORD — SECONDARY ROOF DRAIN
- SSD — SUB-SURFACE DRAINAGE
- SV — SANITARY VENT
- D — DOMESTIC COLD WATER
- D — DOMESTIC HOT WATER
- D — DOMESTIC HOT WATER CIRCULATION
- G — NATURAL GAS
- F — FIRE PROTECTION
- D — DIRECTION OF FLOW
- D — DIRECTION OF PIPE SLOPE DOWN
- X — PIPE DEMOLITION

**VALVES AND FITTINGS**

- BALL VALVE
- SHUT-OFF / ISOLATION VALVE
- PLUG VALVE / GAS COCK
- CHECK VALVE
- STRAINER
- CALIBRATED BALANCING VALVE
- GAS PRESSURE REGULATOR
- FLOW SWITCH
- VALVE IN RISER
- END RISE (90° ELL)
- END DROP (90° ELL)
- RISE OR DROP
- TEE OUT OF TOP OF PIPE
- TEE OUT OF BOTTOM OF PIPE
- CAP ON END OF PIPE
- W/ WALL CLEANOUT
- P/CO PLUG CLEANOUT
- T/CO TWO WAY CLEANOUT
- G/CO GRADE CLEANOUT
- N/CO NON-FREEZE WALL HYDRANT OR HOSE BIBB
- FD FLOOR DRAIN
- F/CO FLOOR CLEANOUT
- C/CO CONNECT NEW TO EXISTING

FRED B. PARKER • ARCHITECT  
280 N. COLUMBIA  
STEPHENVILLE, TEXAS 76401  
PH. (254)965-5568  
FAX. (254)965-5393

**PARKER & ASSOCIATES**  
ARCHITECTS & PLANNERS

DETAILS  
MULTI-PURPOSE FACILITY FOR  
RANGER COLLEGE  
609 Cooper St., Ranger, Tx. 76470

DATE OF REVISIONS:  
REV 0 IFC 07/22/24

JOB NO. 23C09RAN  
DRAWN BY: SE

SHEET NO. P-3

SE PROJECT NUMBER: 23415  
PREPARED BY:  
**SE SAMUEL ENGINEERING**  
8450 E. Crescent Parkway, Suite 200  
Greenwood Village, CO 80111  
Phone: 303.714.4840  
Fax: 303.714.4800  
TX-Registered Engineering Firm No. F13934  
This document is copyrighted and is an instrument of service by Samuel Engineering (SE). It was prepared solely for the Owner's/Client's use on this project only. Use, copy or disclosure of any information shown, in whole or in part, without SE's consent, is strictly prohibited, is a copyright breach and may be prosecuted. Any unauthorized reuse shall be at the sole risk of the user.

THIS DRAWING REMAINS THE PROPERTY OF THE ARCHITECT AND IS NOT TO BE USED IN ANY WAY WITHOUT HIS PERMISSION