

GENERAL PLUMBING NOTES

- 1) ALL PLUMBING MATERIALS AND INSTALLATIONS SHALL BE IN ACCORDANCE WITH THE INTERNATIONAL PLUMBING CODE (IPC) LATEST EDITION (UNLESS CITY REQUIREMENTS ARE EARLIER) AND ALL STATE AND LOCAL CODE REQUIREMENTS.
- 2) ALL FIXTURES SHALL BE NEW AND PER SCHEDULE OR APPROVED EQUAL.
- 3) PLUMBING CONTRACTOR (P C) SHALL VERIFY SIZE AND LOCATIONS OF ALL FIXTURES WITH ARCH PLANS AND AND CONNECTION LOCATIONS WALL DIMENSIONS AND ETC, PRIOR TO INSTALLING ROUGH- IN CONNECTIONS.
- 4) P C SHALL INSTALL FITTINGS TO DIRECT WASTE IN DIRECTION OF FLOW.
- 5) ALL CONNECTIONS MADE OF DISSIMILAR MATERIALS SHALL UTILIZE CODE APPROVED DIELECTRIC UNIONS.
- 6) T&P RELIEF VALVES ARE TO BE TERMINATED PER CODE REQUIREMENTS
- 7) INSTALL CODE APPROVED WATER HAMMER ARRESTORS WHERE QUICK CLOSING VALVES ARE UTILIZED.
- 8) REFER TO PLUMBING FIXTURE BRANCH CONNECTION SCHEDULE FOR RUN OUT SIZES
- 9) ALL FIXTURES TO HAVE STOP VALVE AT WALL.
- 10) ALL WATER PIPING JOINTS AND CONNECTIONS SHALL BE MADE ABOVE FLOOR LINE, NO JOINTS OR CONNECTIONS ALLOWED UNDER OR IN SLAB.
- 11) ALL LAVATORY AND SINK WASTE AND TRAPS SHALL BE CHROME PLATED 17 GA MIN
- 12) VENTS TO BE COMBINED INTO MAIN VENT FOR TERMINATION THRU ROOF, PENDING SIZE AND LENGTH AS PER I P C REQUIREMENTS
- 13) P C AND GENERAL CONTRACTOR (G C) SHALL COORDINATE VENT LOCATIONS WITH BUILDING'S ROOF AIR INTAKES TO MAINTAIN CODE CLEARANCES.
- 14) ALL FIXTURES TO BE VENTED TO NEAREST COMMON VENT HEADER
- 15) PROVIDE TRAP PRIMER CONNECTIONS FOR ALL FLOOR DRAINS, FLOOR SINKS AND OPEN SITE DRAINS (OSD). INSTALL TRAP PRIMER VALVE AND EXTEND TRAP PRIMER LINES TO ALL FLOOR DRAINS, FLOOR SINKS, AND OSD'S, WHERE ALLOWED BY LOCAL AUTHORITY, ONLY IF NOT ALLOWED BY LOCAL AUTHORITY, PROVIDE DEEP TRAPS AND PROSET TRAP GUARD SYSTEMS.
- 16) FLUSH HANDLES ON ADA ACCESSIBLE WATER CLOSETS ARE TO BE MOUNTED ON THE WIDE SIDE OF THE TOILET COMPARTMENT.
- 17) ALL FIXTURES INDICATED WITH THE ADA SYMBOL OR DESIGNATED ADA SHALL MEET T.A.S. REQUIREMENTS
- 18) PROVIDE INSULATION AND HEAT TRACE FOR ABOVE GRADE PIPING SUBJECT TO FREEZING.
- 19) P C AND G C SHALL VERIFY AND LOCATE ALL EXISTING UTILITIES BEFORE DIGGING AND PLACING NEW PLUMBING AND SEWER LINES. VERIFY INVERT ELEVATION OF SEWER.
- 20) DRAIN LINES 3" AND LARGER SHALL BE INSTALLED WITH A 1/8" / FOOT SLOPE MINIMUM, DRAIN LINES SMALLER THAN 3" SHALL HAVE A MINIMUM SLOPE OF 1/4" / FOOT.
- 21) WATER LINES ARE GENERALLY INDICATED TO BE OVERHEAD ON THE PLANS. THE P C SHALL ROUTE LINES BELOW SLAB WHERE INDICATED. INSTALL ALL PIPING SYSTEMS SUCH THAT THEY ARE NOT SUBJECT TO UNDUE STRESS. PROVIDE A MIN OF 6" SAND FILL UNDER PIPE THAT ARE INSTALLED BELOW GRADE.
- 22) ALL PIPE PENETRATIONS THROUGH SLAB ARE TO BE SLEEVED AND THE VOID SPACE SEALED.
- 23) ALL PIPING, VENTS DUCTS, AND ETC EXTENDING THROUGH WALLS AND ROOFS SHALL BE FLASHED AND COUNTER FLASHED IN A WATERPROOF MANNER. SEAL ALL PENETRATIONS OF THE FLOOR / CEILING ASSEMBLY AND RATED WALLS WITH A SEALANT MATERIAL APPROVED BY CODE. ALL PENETRATIONS IN FINISHED SPACES TO BE PROVIDED WITH ESCUTCHEON PLATES
- 24) THE LOCATION OF ALL DEVICES, EQUIPMENT, PIPING AND ETC INDICATED ON THE PLANS ARE DIAGRAMMATIC AND ARE SUBJECT TO RELOCATION AS REQUIRED TO ACCOMMODATE FINISH CONDITIONS INDICATED. DEVIATIONS IN ROUTING OR PLACEMENT OF SUCH FROM THE PLANS IS PERMISSABLE PROVIDED CODE COMPLIANCE IS NOT ALTERED.
- 25) ALL DOMESTIC WATER PIPING WITHIN BUILDING TO BE COPPER, TYPE L, UNDERSLAB TO BE TYPE K, PIPING OUTSIDE BUILDING AND UNDERGROUND MAY BE PVC, SCHED 80.
- 26) ALL SANITARY SEWER PIPING WITHIN BUILDING TO BE CAST IRON HUB AND SPIGOT, VENT PIPING WITHIN WALLS MAY BE HUBLESS WITH HD CONNECTIONS. SEWER PIPING OUTSIDE BUILDING MAY BE PVC SHED 40 DI/V PIPING.
- 27) THE P C SHALL PROVIDE FOR THE INSTALLATION OF WATER METER AND BACKFLOW PREVENTION DEVICE IN ACCORDANCE WITH ALL WATER UTILITY REQUIREMENTS. THE P C SHALL PAY FOR ALL MATERIALS, UTILITY AND CITY FEES FOR A COMPLETE INSTALLATION INCLUDING BUT NOT LIMITED TO TAPPING, BORING, CASING, OPENING, CLOSING, AND REFINISHING OF ROADWAY SURFACES PER GOVERNING AUTHORITY REQUIREMENTS.
- 28) THESE DRAWINGS SHOW THE GENERAL INTENT TO RECEIVE A QUALITY FINISHED PRODUCT. CONTRACTOR SHALL BE RESPONSIBLE TO INCLUDE ALL ITEMS REQUIRED TO COMPLETE THIS PROJECT IN A FINISHED MANNER WHETHER ALL CONDITIONS ARE SHOWN OR NOT.

PLUMBING FIXTURE SCHEDULE

DESIGNATION	DESCRIPTION	MANUFACTURER / MODEL #	FAUCET	COMMENTS
WC - 1	ADA WATER CLOSET - TANK TYPE FLOOR MOUNTED WHITE VITREOUS CHINA, ELONGATED, RH TANK TRIP LEVER, 1.28 GPF	AM STD # 238AA 105	-	WHITE OPEN FRONT SEAT, SUPPLIES AND STOPS WITH RENEABLE SEATS
WC - 2	ADA WATER CLOSET - TANK TYPE FLOOR MOUNTED, WHITE VITREOUS CHINA, ELONGATED, LH TANK TRIP LEVER, 1.28 GPF	AM STD # 238AA 104	-	WHITE OPEN FRONT SEAT, SUPPLIES AND STOPS WITH RENEABLE SEATS
L - 1	ADA LAVATORY - WALL MTD, WHITE VITREOUS CHINA HD CARRIER, REFER TO ARCH PLANS FOR MTG HEIGHT	AM STD #0355.012	SLOAN EBF-650-BDT W TEMPERING VALVE	BATTERY OPERATED FAUCET
MS - 1	MOP SINK - 24" X 24" X 10"	FIAT #MSB-2424 - RIM GUARD #E-77-AA, MOP BRACKET #889CC	FIAT #830-AA W/ HOSE	-
S - 1	ADA SINGLE BOWL STAINLESS STEEL DROP IN SINK, WITH FAUCET LEDGE, 3 - HOLE, 4 - 1/2" BOWL DEPTH	JUST # SL - ADA - 2017 - A - GR	MOEN # 4903BC W/MPERING VALVE	20 X 17 OD
SH - 1	ADA SHOWER W/ SEAT ON RIGHT SIDE, GRAB BARS, SH HEAD, FLANGE, VALVE, AND 2" FLOOR DRAIN	KOHLER	MOEN # T2132 SHOWER, # 2590 TEMPERING VALVE	36"X36"X84"
SH - 2	ADA SHOWER W/ SEAT ON LEFT SIDE, GRAB BARS, SH HEAD, FLANGE, VALVE, AND 2" FLOOR DRAIN	KOHLER	MOEN # T2132 SHOWER, # 2590 TEMPERING VALVE	36"X36"X84"
WCO	WALL CLEAN OUT	JOSAM 56010 SERIES	-	REFER TO PLUMBING FLOOR PLANS FOR SIZES
FCO	FLOOR CLEAN OUT	JOSAM 58610 SERIES	-	REFER TO PLUMBING FLOOR PLANS FOR SIZES
FS	FLOOR SINK - CAST IRON WITH STRAINER AND HALF GRATE, AND CLAMPING COLLAR	JOSAM 49000 SERIES	-	REFER TO PLUMBING FLOOR PLANS FOR SIZES
FD	FLOOR DRAIN - CAST IRON, ADJUSTABLE, STRAINER, SATIN NIKALOY FINISH	JOSAM 30000 SERIES	-	REFER TO PLUMBING FLOOR PLANS FOR SIZES
IMB	ICE MAKER BOX	GUY GRAY # 88133	-	PROVIDE RPZ AND FILTER
NFWH	3/4" NON-FREEZE WALL HYDRANT	J R SMITH #6509QT	-	QUARTER TURN HYDRANT, STAINLESS STEEL LOCKING BOX, INTEGRAL VACUUM BREAKER

- 1) MANUFACTURE NAME'S INDICATED IS FOR BASIS OF DESIGN AND TO ESTABLISH A MINIMUM STANDARD OF QUALITY, OTHERS PRODUCTS FROM OTHER MANUFACTURES WILL BE CONSIDERED IF SUCH IS AN EQUAL OR GREATER PRODUCT. DO NOT INSTALL WITHOUT PRIOR APPROVAL FROM ARCHITECT/ENGINEER/OWNER.
- 2) PROVIDE HEAVY-DUTY CARRIERS AND SUPPORTING MATERIALS.
- 3) PROVIDE DRAIN COVERS, ESCUTCHEONS, TRIM, AND ETC. FOR A PROFESSIONAL LOOKING INSTALLATION.
- 4) ALL SUPPLIES ARE TO BE CHROME PLATED.
- 5) PROVIDE TRUEBRO LAV GUARD, UNDER ALL LAVATORIES AND SINKS.

WATER HEATER SCHEDULE

DESIGNATION	MFGR. MODEL #	CAPACITY		HEATING				ELECTRIC		DIMENSIONS		ELEC DATA (V/PHASE)	DELIVERED WATER TEMP (deg F)	ACCESSORIES	
		STORAGE (GALLONS)	RECOVER Y @ 100 deg RISE (GPH)	INPUT (MBTUH)	THERMAL EFF	NATURAL GAS		FLUE SIZE	KW	# OF ELEMENTS	HEIGHT (IN)				DIAMETER (IN)
WH - 1	BRADFORD WHITE #LE330S3-3	30	31	-	-	-	-	-	6	3	47	20	208 / 1	120	2, 4, 10

- ACCESSORIES:**
1. ASME CONSTRUCTION
 2. TEMPERATURE / PRESSURE RELIEF VALVE
 3. INTERMITTENT ELECTRONIC IGNITION
 4. ELECTRONIC LOW WATER CUT OFF
 5. CONDENSATE NEUTRALIZATION SYSTEM WITH FLUE GAS TRAP
 6. LOW NOX - NO2 EMISSIONS < 20 PPM
 7. ALARM BELL
 8. CONCENTRIC VENT KIT
 9. PROPANE CONVERSION KIT
 10. EXPANSION TANK

RECIRCULATING PUMP SCHEDULE

DESIGNATION	MANUFACTURER	MODEL	FLUID	SERVICE	GPM	HEAD (FT WC)	ELECTRICAL			NOTES
							HP	V/PH/Hz	RPM	
RCP-1	BELL & GOSSETT	HD3	WATER	WH-1	10	20	1/3	120/1	1750	1

- NOTES:**
- 1) PROVIDE STARTER AND ELECTRONIC PROGRAMABLE TIME CLOCK TO CONTROL CIRCULATING PUMP. TIME SWITCH TO BE WIRED WITH PUMP STARTER BY THE ELECTRICAL CONTRACTOR.

EXPANSION TANK SCHEDULE

DESIGNATION	MANUFACTURER	MODEL	TANK VOLUME (GAL)	ACCEPTANCE VOLUME (GAL)	SYSTEM CONNECTION (IN)	DIMENSIONS		WEIGHT (LBS)	NOTES
						HEIGHT (IN)	DIAMETER (IN)		
ET - 1	BELL & GOSSETT	PTA-12	5	3.3	3/4	14	12	28	1

- NOTES:**
- 1) ASME CONSTRUCTION

PLUMBING FIXTURE BRANCH CONNECTION SCHEDULE

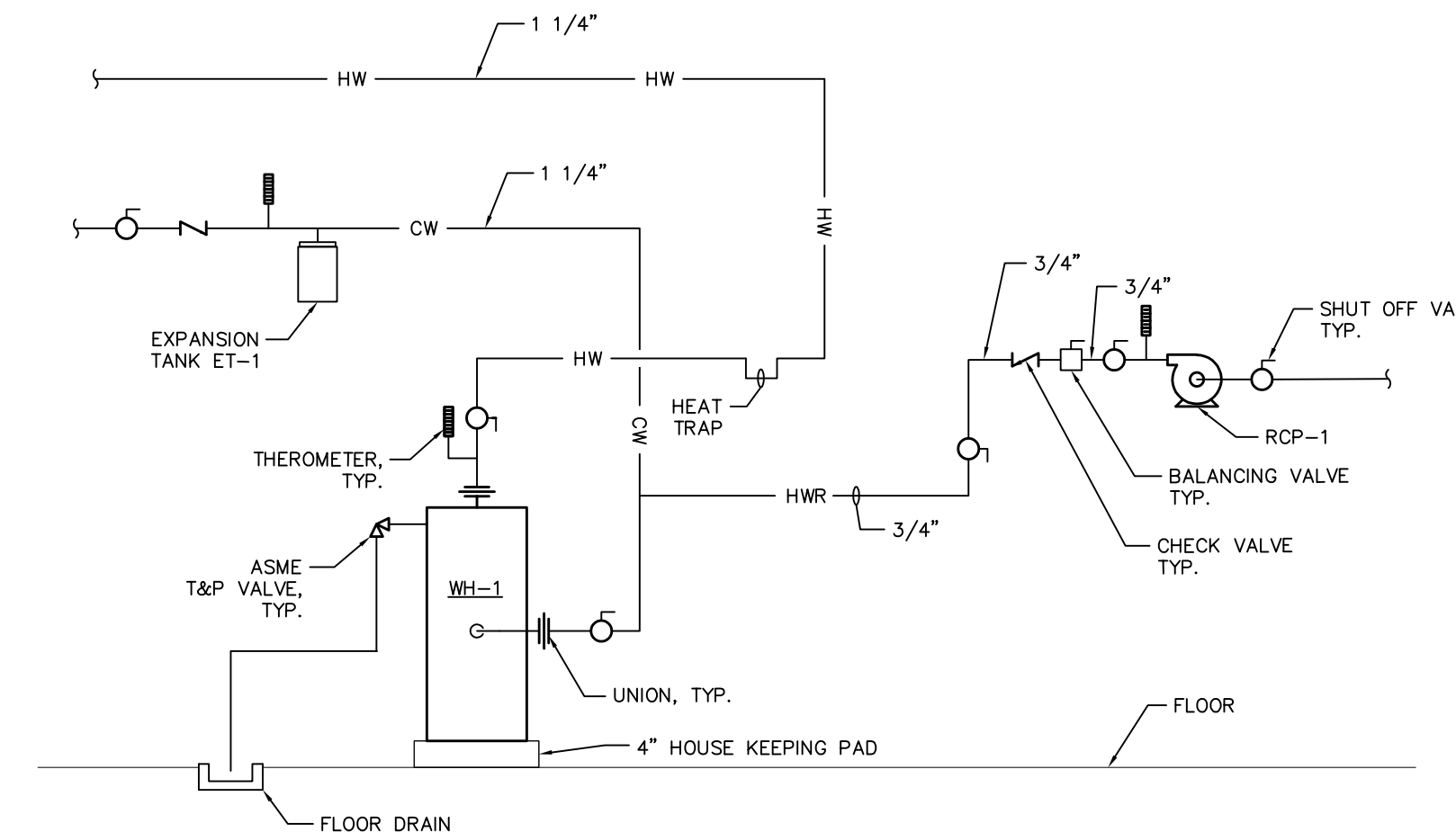
FIXTURE	SOIL OR WASTE	VENT	TRAP	WATER PIPE			REMARKS
				PIPE SIZE	TEMP (deg F)		
					COLD	HOT	
WATER CLOSET (TANK TYPE)	3"	3"	-	1/2"	-	-	1
LAVATORY	2"	1-1/2"	1-1/4"	1/2"	1/2"	110	1
SINK / BAR SINK	2"	1-1/2"	1-1/2"	1/2"	1/2"	140	1
MOP SINK	3"	2"	3"	3/4"	3/4"	140	1
SHOWER	2"	1-1/2"	2"	1/2"	1/2"	110	1
2' FLOOR SINK (FS) / FLOOR DRAIN (FD)	2"	2"	2"	-	-	-	1
REF / ICE MAKER BOX (IMB)	-	-	-	1/2"	-	-	1
WATER DISPENSER BOX (WDB)	-	-	-	-	1/2"	140	1
WALL HYDRANT	-	-	-	3/4"	-	-	1

- NOTES:**
- 1) PIPE SIZES SHALL BE AS INDICATED ABOVE UNLESS NOTED OTHERWISE ON THE DRAWINGS. SIZES INDICATED ABOVE ARE FOR ROUGH-IN / BRANCH SIZES AND CONNECTIONS ONLY, MAIN LINE SIZES ARE INDICATED ON THE PLANS.

WATER HAMMER ARRESTOR SCHEDULE

FIXTURES	CONN. SIZE	PDI RATING	J R SMITH "HYDROTROL"	SIoux CHIEF "HYDRARRESTER"
1-11	3/4"	A	5005	652-AS
12-32	1"	B	5010	65E-BS
33-60	1"	C	5020	65A-CS

NOTE: UNITS ARE TO BE CERTIFIED UNDER THE PLUMBING AND DRAINAGE INSTITUTE- STANDARD PDI-WH201



WATER HEATER PIPING DIAGRAM
SCALE: N.T.S.

THIS DRAWING REMAINS THE PROPERTY OF THE ARCHITECT AND IS NOT TO BE USED IN ANY WAY WITHOUT HIS PERMISSION

FRED B. PARKER • ARCHITECT
 280 N. COLUMBIA
 STEPHENVILLE, TEXAS 76401
 PH. (254)965-5358
 FAX. (254)965-5393

PARKER & ASSOCIATES
 ARCHITECTS & PLANNERS

DETAILS, NOTES AND SCHEDULES
 MULTI-PURPOSE FACILITY FOR
 RANGER COLLEGE
 609 Cooper St. Ranger Tx. 76470

DATE OF REVISIONS:
 REV 0 IFC 01/22/24

JOB NO. 23CO9RAN
 DRAWN BY: PL

SHEET NO. P-4

SE PROJECT NUMBER: 23415

PREPARED BY:

SE SAMUEL ENGINEERING

8450 E. Crescent Parkway, Suite 200
 Greenwood Village, CO 80111
 Phone: 303.714.4840
 Fax: 303.714.4800
 TX-Registered Engineering Firm No. F13934

This document is copyrighted and is an instrument of service by Samuel Engineering (SE). It was prepared solely for the Owner's/Client's use on this project only. Use, copy or disclosure of any information shown, in whole or in part, without SE's consent, is strictly prohibited, is a copyright breach and may be prosecuted. Any unauthorized reuse shall be at the sole risk of the user.